

# Adjustable Support

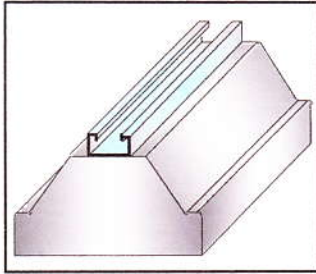
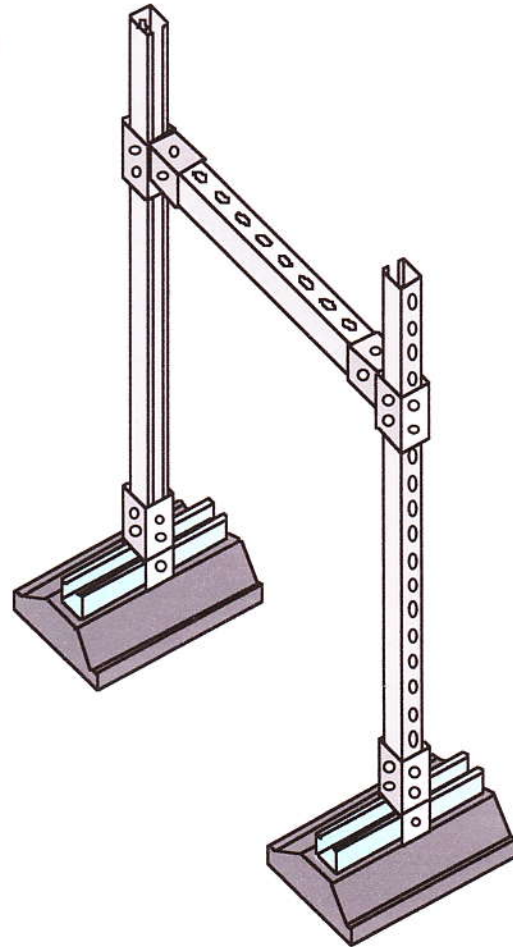
**AS3624**

**Description:**

KeyCurb Strut: Molded recycled rubber curb with galvanized channel.  
 Channel Leg, Adjustable Cross Bar: pre-galvanized 1 5/8" channel.  
 Adjustable System. (No pads or slip sheet required.)  
 All parts and accessories can be ordered separately.

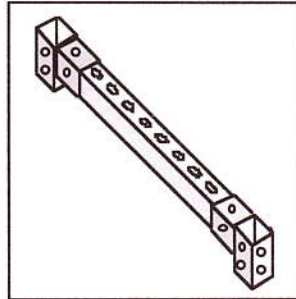
**Installation:**

Base and support framing shall be located as specified or required herein as per drawings.  
 Frame spacing shall be as indicated on drawings, but not to exceed 10' centers.  
 Bases shall be placed on completed roof as per manufacturer's requirements.  
 Set 1 5/8" strut into base. Insert bolt with washer and nut through strut.  
 Add frame rod and bolt to support legs.  
 Support can be set and adjusted as required.  
 Adjust each brace for equal weight disbursement.



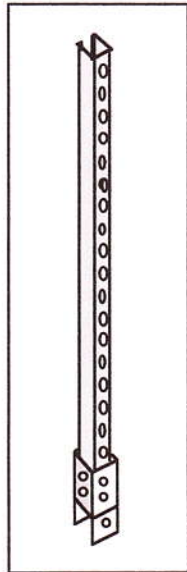
**KeyCurb Strut**

Item No.	Strut	Curb
KS	8"	(9")



**Adjustable Cross Bar**

Item No.	Size
ACB18	(18")
ACB24	(24")
ACB36	(36")
ACB48	(48")



**Channel Leg**

Item No.	Size
CL18	(18")
CL24	(24")
CL36	(36")
CL48	(48")
CL60	(60")



**KeyCurb Pipe Supports**