

**Model 3630F Standard Roof Hatch** with a inside dimension of 36" long and 30" wide. The hinge and ladder are located on the 30" sides.

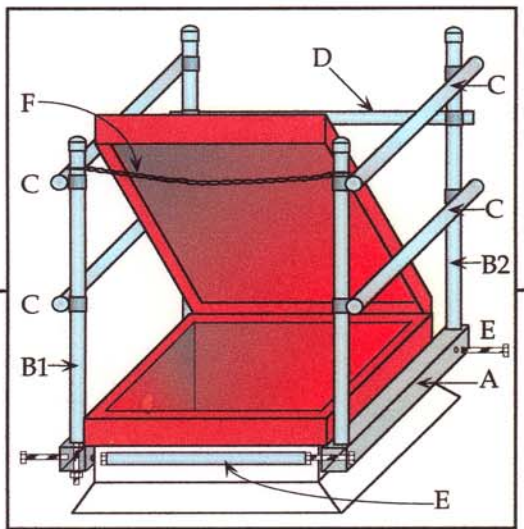
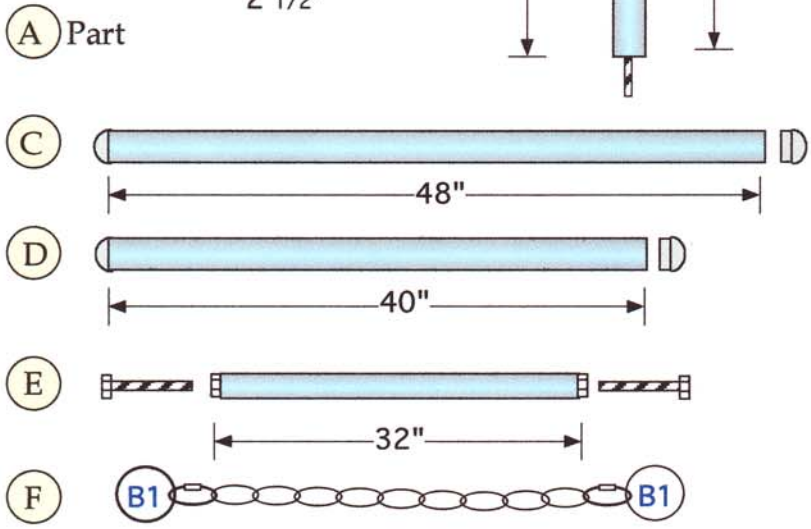
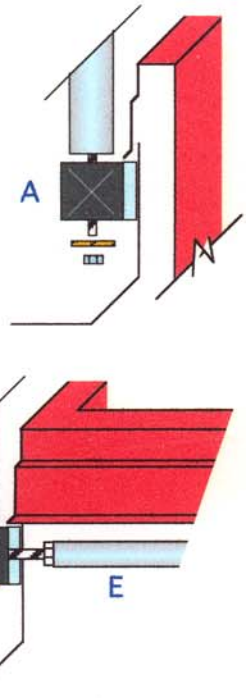
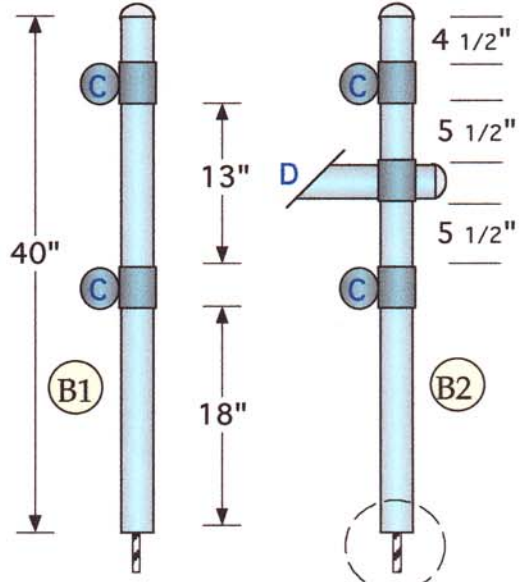
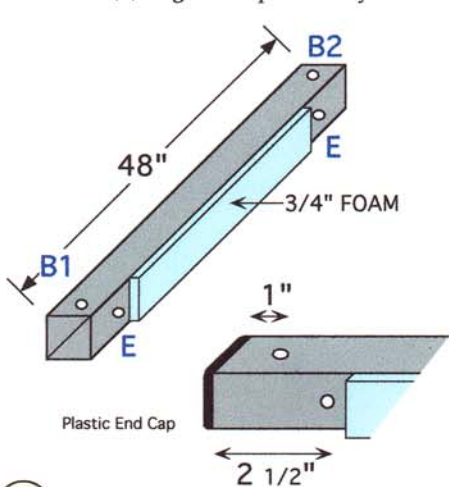
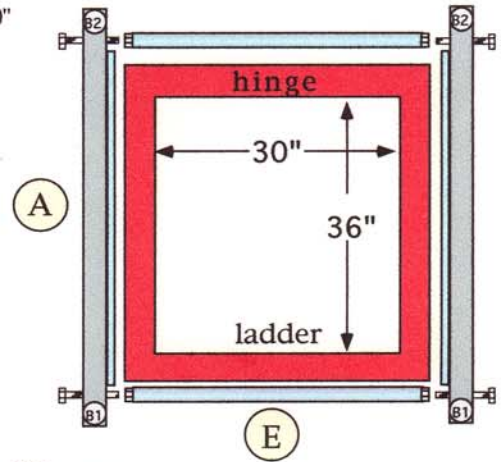
Meets OSHA Standard CFR 29 1910.23 and 1910.27 for required roof openings

**Materials:**

- Pipe Rail: 1 5/8" OD A53 Grade B seamed galvanized steel.
- Tubing Base: Factory galvanized 2"x2" 16 gage seamed steel.
- Tubing Base Pad: Stryfoam 3/4" thick isolation pad.
- Railing Clamps: Cast steel hot dipped galvanized.
- Accessories: Zinc plated 3/16" ASTM proof chain with quick links and hoops.
- Pipe Caps: Zinc plated post caps with 1 1/4" UV resistant vinyl side rail caps.

**Installation**

Personal fall protection must be worn during installation.  
 Field customize to fit existing condition or as specified herein.  
 Set curb framing gasket (A) (E) around roof opening, tighten to fit opening.  
 Add the four corner posts (B) into receiver and bolt to frame.  
 Install cross rails (C) (D) into preset clamps and level adjust with wrench.  
 Add chain (F) or gate as specified by manufacturer..



**RoofTop Hatch  
 Safety Guard-Rail  
 MODEL 3630F**